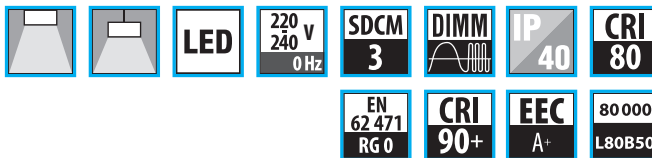
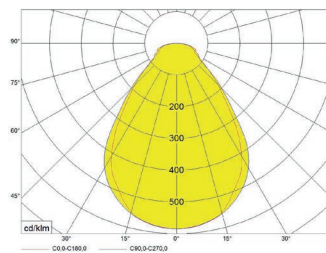


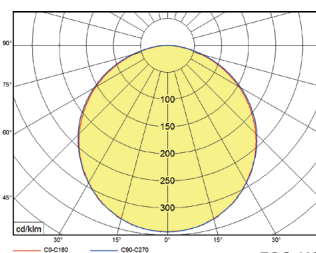
CHARME



η_{ef} (lm/W)
110-139



ESO KN



ESO KO

LED fitting

Body:
White painted (RAL 9016) metal sheet

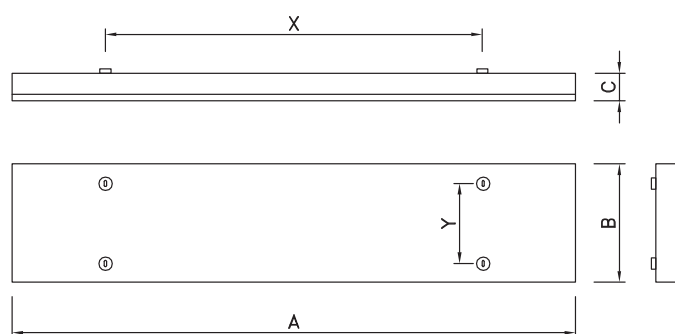
Optic:
KN – clear PS microprismatic cover
KO – opal PS cover

Application:
Default way of using is a surface installation. Using suspension set ZH/UNI4 also pendant installation is possible.

2200	2700	3000	4000	5700	6500	MIX	RGB	
✗	○	○	●	○	○	○	✗	✗
●	○	○	○	✗	○	○	✗	✗

● default ○ optional ✗ not possible





W	lm		A	B	C	X	Y	kg
	KO	KN						
20	2 200	2 300	610	240	52	500	150	2,5
23	3 000	3 200	560	560		400	400	4,0
36	4 300	4 800						
55	6 300	6 600						
26	3 300	3 500	1 210	240		950	150	4,5
38	4 400	4 600						
44	5 000	5 900						
57	7 200	7 500	1 510			1 200	5,5	